

88 Series Thermal Circuit Breaker

Rating: 3A~25A

Input Power: 125/250Vac 32Vdc

Interruption Capacity: 1000AmpX125Vac 200AmpX250Vac

Dilectric Strength: 1500Vac X 1Minute

Resettable Overload Capacity: 6 Time Rated Current

Voltage Drop: Less Than 0.25V

Insulation Resistance: >500 M ohm

Reset Time: Within 60sec

Temperature Rise at Terminal Block: Less than 65°C at 100% of rated current applied continuously

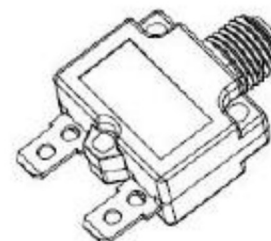
Contact Endurance: 125Vac X150% of rated current >500 cycles

cUL 3A-20A 125/250Vac TC2/OL0/C1

cUL 3A-15A 125/250Vac TC2/OL1/C1 (UL1363)

TUV 3A-20A 125/250Vac 32Vdc

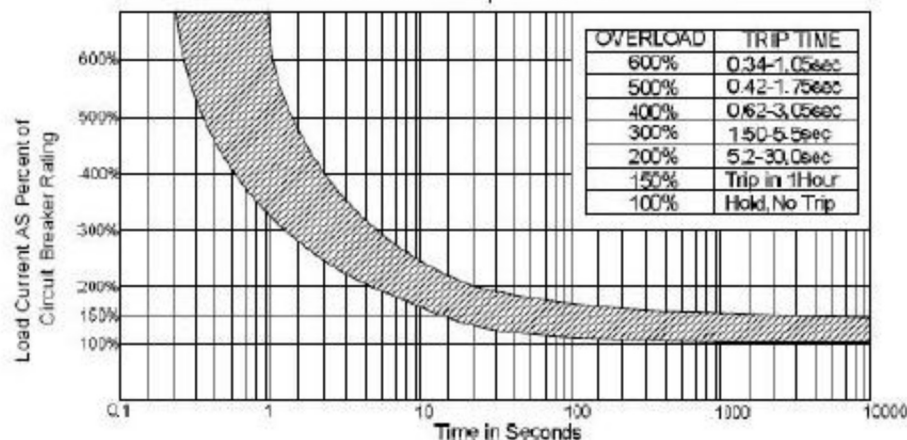
Complies with Rohs



The time/current characteristic curve depends on the ambient temperature prevailing. In order to eliminate nuisance tripping, please multiply the current breaker current ratings by the derating factor shown below.

Ambient Temperature	-10°C	0°C	10°C	25°C	40°C	50°C	60°C
Multiplication Factor	1.5	1.4	1.2	1.00	0.85	0.7	0.5

88 Series 3A-20A Trip Time Curves

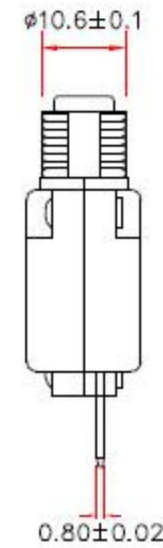
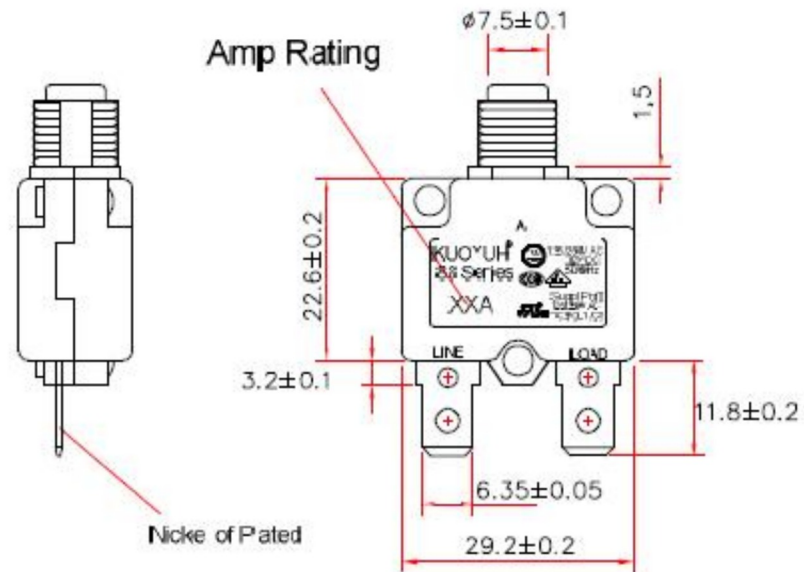
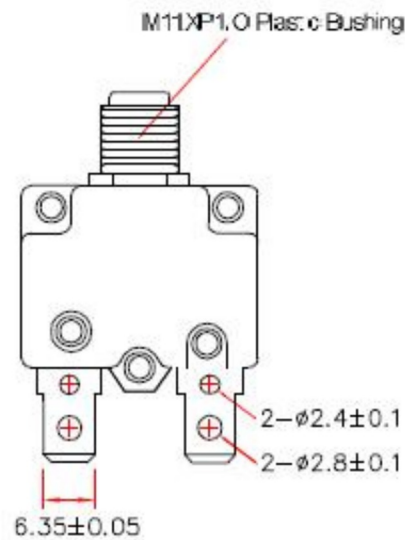
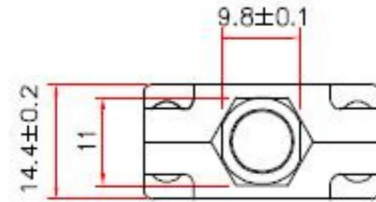


			TOLERANCE		APPROVED	CHECK	DESING	DRAWER	UNIT	mm	
			DIMENSION	TOLERANCE					SCALE	1:1	
			XX.XX	±0.05					REV	D/1	
			XX.X	±0.1					DATE	2010.01.12	
			XX	±0.15	TITLE	88 Series Thermal Circuit Breaker					
			ANGLE	TOLERANCE	FILE NO						
			X	±1°	TITLE	88 Series Thermal Circuit Breaker					
			XX	±0.5°	DRAWING NO						
NO	DESCRIPTION	APPROVED	DATE								

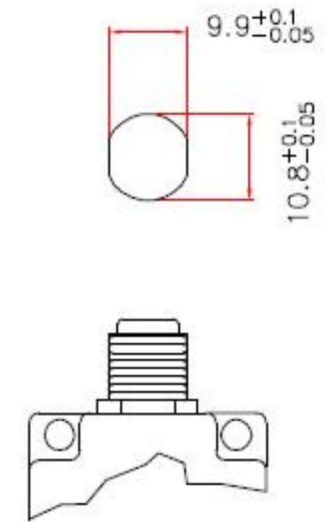
88-XX-B1B14-B0W

XX=Amp Rating

- 5A
- 6A
- 7A
- 8A
- 9A
- 11A
- 12A
- 13A
- 14A
- 16A



Panel Cutout



NO	DESCRIPTION	APPROVED	DATE	TOLERANCE		APPROVED	CHECK	DESING	DRAWER	UNIT	mm	
				DIMENSION	TOLERANCE					SCALE	1:1	
				XX.XX	±0.05					REV	D/1	
			XX.X	±0.1	DATE					2010.01.12		
			XX	±0.15	FILE NO					88 Series Thermal Circuit Breaker	TITLE	
				ANGLE	TOLERANCE					DRAWING NO	5A~16A	
				X	±1°							
				XX	±0.5°							